

IO_SERIES

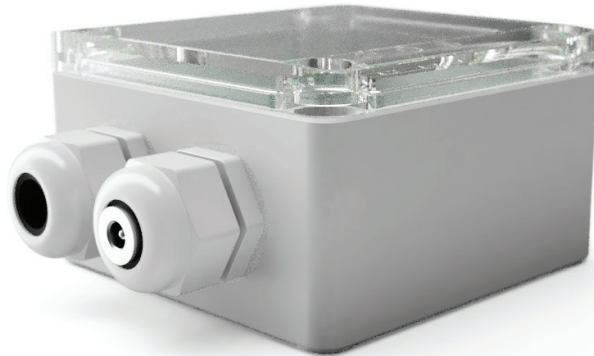
IO_

IO_

IO_

IO_

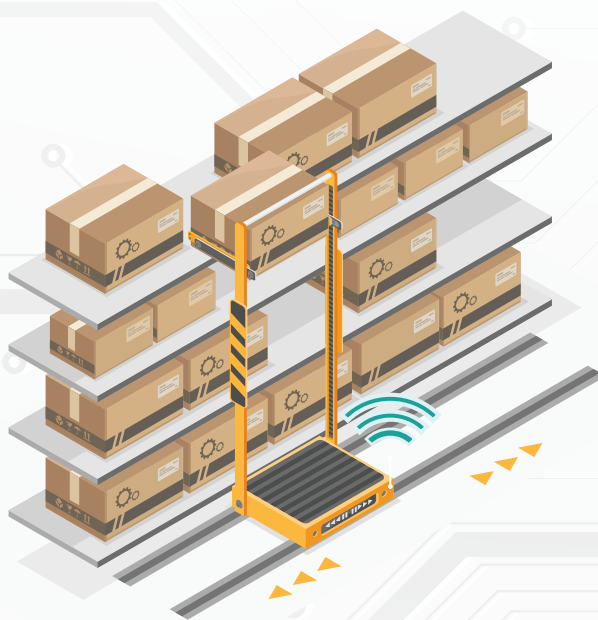
IO_SENSOR_TX



IO_SENSOR_TX

Use any external analog or digital sensors or other sources to send data wirelessly to receivers within the **IO_SERIES** or **Tele Radio Panther** range.

For indoor or outdoor Machine to Machine (M2M) applications. Battery powered with up to one year* runtime.



Developed and manufactured in Finland

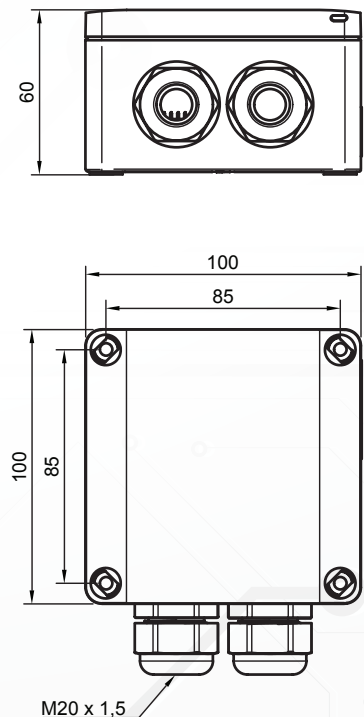
tele radio[®]
wireless solutions

IO_SENSOR_TX

TECHNICAL DATA

Input Voltage	3V (2 X AA Batteries)
Inputs	2 x Analog 0-10V + 1 x Digital NPN
Reference Voltage Outputs	12 VDC, 25mA
Ingress Protection	IP66
Dimensions (width x length x height)	100 x 100 x 60 mm
Weight	~ 250g
Certifications	CE, FFC, IC, UKCA
Operating frequency	2,4 GHz (2,405 - 2,480 GHz as per IEEE 802.15.4)

Dimensions (mm):



CONTACT INFORMATION

Tele Radio Finland Oy
Gerbyntie 14,
65230 Vaasa, Finland

Telephone: +358 20 144 3030
E-mail: info@radio-remote.com
Web site: www.radio-remote.com

tele radio[®]
wireless solutions